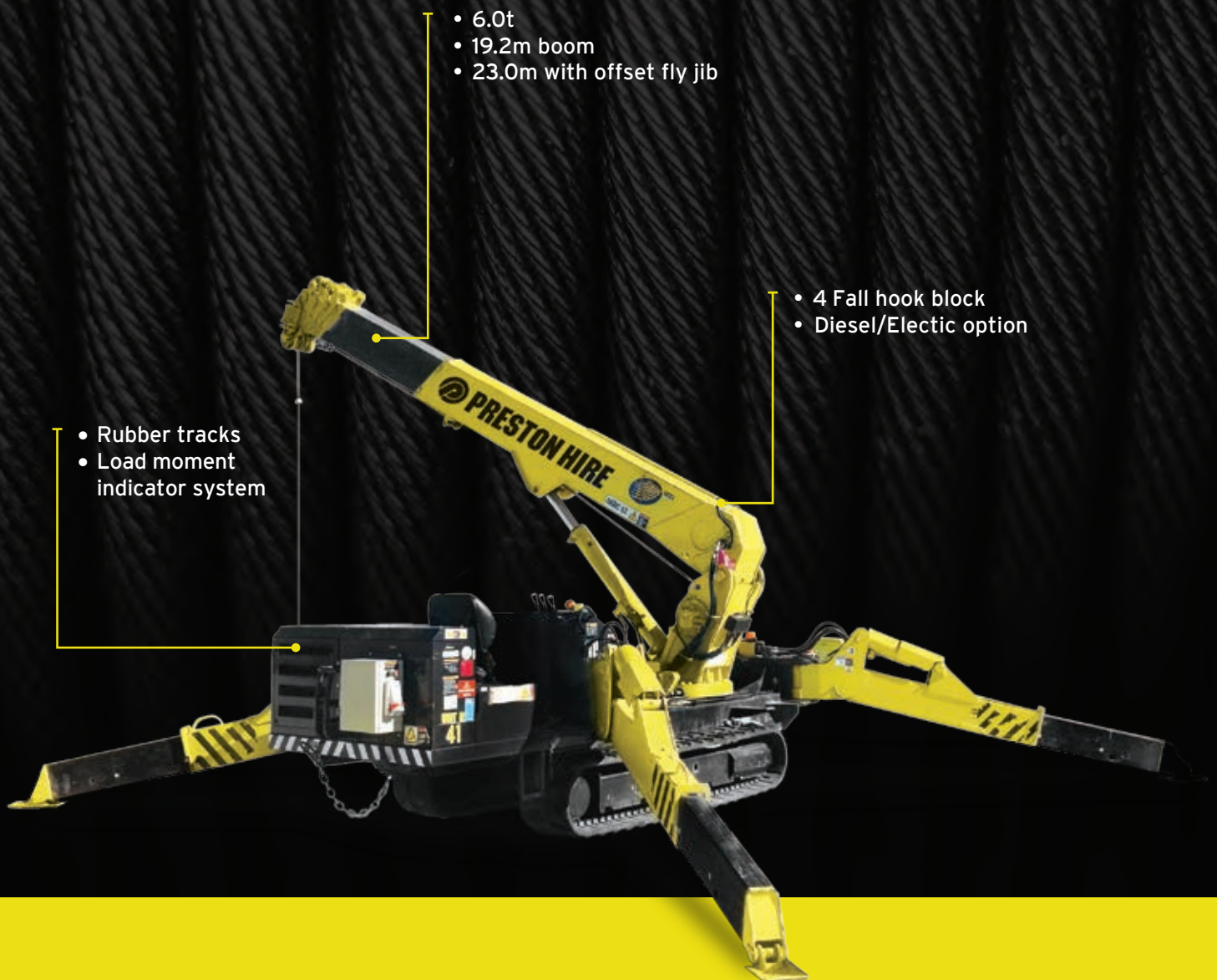


SUPERCRANE™

706



- 6.0t
- 19.2m boom
- 23.0m with offset fly jib

- 4 Fall hook block
- Diesel/Electric option

- Rubber tracks
- Load moment indicator system

The Preston Hire 706 sets one of the highest standards of lifting capability in the mini crane world. With a 6.0t capacity at 3.0m and a hook height of 19.5m and at 1670mm wide it is still narrow enough to gain access through a standard double doorway. For added lifting flexibility the 706 also features an optional searcher hook and a 3.1m long swing away fly jib, providing a maximum hook height of 22.7m. Consider the possibilities...



COUNT ON US

1800 440 550 | prestonhire.com.au

SPECIFICATIONS SUPERCRAANE™

706

DIMENSIONS

| | |
|--------|--------|
| Length | 5610mm |
| Width | 1670mm |
| Height | 2185mm |
| Weight | 8370kg |

CAPACITY

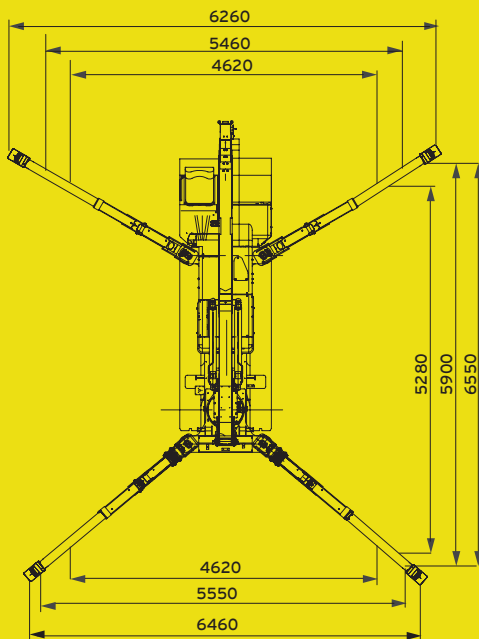
| | |
|---------------------------------|----------------|
| Max. capacity | 6000kg at 3.0m |
| Max. working radius (main boom) | 200kg at 18.6m |
| Max. working radius (fly jib) | 300kg at 15.0m |
| Max. lifting height (main boom) | 19.2m |
| Max. lifting height (fly jib) | 23.0m |

TRACK

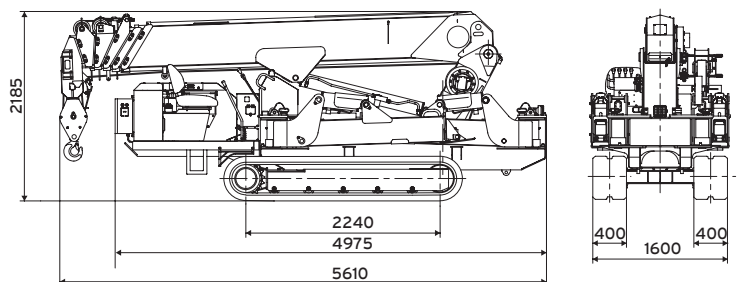
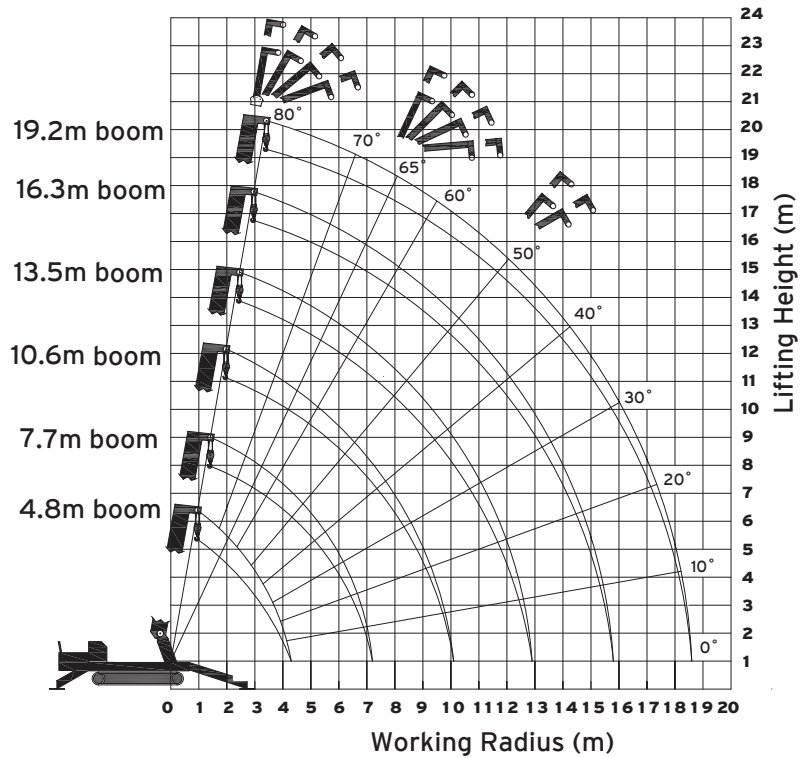
| | |
|-------|-------|
| Width | 400mm |
|-------|-------|

MIN. TRANSPORT WIDTH

| | |
|---------------|--------|
| Overall Track | 1600mm |
| Overall Unit | 1670mm |



WORKING RANGE



COUNT ON US

1800 440 550 | prestonhire.com.au

LOAD CHART SUPERCRAANE™

706

LOAD CHART

TOTAL RATED LOAD - OUTRIGGERS AT MAXIMUM POSITION

| 4.8m Boom | | 4.8 - 7.7m Boom | | 7.7 - 10.6m Boom | | 10.6 - 13.5m Boom | | 13.5 - 16.3m Boom | | 16.3 - 19.2m Boom | |
|--------------------|-----------------------|--------------------|-----------------------|--------------------|-----------------------|--------------------|-----------------------|--------------------|-----------------------|--------------------|-----------------------|
| Working Radius (m) | Total Rated Load (kg) | Working Radius (m) | Total Rated Load (kg) | Working Radius (m) | Total Rated Load (kg) | Working Radius (m) | Total Rated Load (kg) | Working Radius (m) | Total Rated Load (kg) | Working Radius (m) | Total Rated Load (kg) |
| 1st stage extended | | 2nd stage extended | | 3rd stage extended | | 4th stage extended | | 5th stage extended | | 6th stage extended | |
| 2.7 | 6000 | 2.0 | 6000 | 2.7 | 4550 | 5.0 | 2950 | 6.0 | 2350 | 8.0 | 1350 |
| 3.0 | 6000 | 3.0 | 6000 | 4.0 | 4550 | 6.0 | 2550 | 8.0 | 1700 | 10.0 | 1000 |
| 3.5 | 5450 | 3.5 | 5350 | 5.0 | 3650 | 7.0 | 2150 | 9.0 | 1400 | 12.0 | 800 |
| 4.0 | 4850 | 4.0 | 4750 | 6.0 | 2950 | 8.0 | 1850 | 10.0 | 1200 | 14.0 | 600 |
| 4.3 | 3950 | 5.0 | 3750 | 7.0 | 2400 | 9.0 | 1500 | 11.0 | 1000 | 16.0 | 400 |
| | | 6.0 | 2950 | 8.0 | 1800 | 10.0 | 1200 | 12.0 | 850 | 18.0 | 250 |
| | | 7.0 | 2250 | 9.0 | 1350 | 11.0 | 950 | 13.0 | 700 | 18.6 | 200 |
| | | 7.2 | 2000 | 10.0 | 950 | 12.0 | 800 | 14.0 | 600 | | |
| | | | | 10.1 | 950 | 12.9 | 450 | 15.0 | 500 | | |
| | | | | | | | | 15.8 | 400 | | |

TOTAL RATED LOAD - OUTRIGGERS AT INTERMEDIATE POSITION

| 4.8m Boom | | 4.8 - 7.7m Boom | | 7.7 - 10.6m Boom | | 10.6 - 13.5m Boom | | 13.5 - 16.3m Boom | | 16.3 - 19.2m Boom | |
|--------------------|-----------------------|--------------------|-----------------------|--------------------|-----------------------|--------------------|-----------------------|--------------------|-----------------------|--------------------|-----------------------|
| Working Radius (m) | Total Rated Load (kg) | Working Radius (m) | Total Rated Load (kg) | Working Radius (m) | Total Rated Load (kg) | Working Radius (m) | Total Rated Load (kg) | Working Radius (m) | Total Rated Load (kg) | Working Radius (m) | Total Rated Load (kg) |
| 1st stage extended | | 2nd stage extended | | 3rd stage extended | | 4th stage extended | | 5th stage extended | | 6th stage extended | |
| 2.7 | 6000 | 2.0 | 6000 | 2.7 | 4550 | 5.0 | 2950 | 6.0 | 2350 | 8.0 | 1350 |
| 3.0 | 6000 | 3.0 | 6000 | 4.0 | 4550 | 6.0 | 2550 | 8.0 | 1500 | 10.0 | 1000 |
| 3.5 | 5450 | 3.5 | 5350 | 5.0 | 3650 | 7.0 | 1850 | 9.0 | 1150 | 12.0 | 650 |
| 4.0 | 4850 | 4.0 | 4750 | 6.0 | 2950 | 8.0 | 1400 | 10.0 | 950 | 14.0 | 450 |
| 4.3 | 3950 | 5.0 | 3750 | 7.0 | 1750 | 9.0 | 1100 | 11.0 | 750 | 16.0 | 300 |
| | | 6.0 | 2450 | 8.0 | 1300 | 10.0 | 850 | 12.0 | 600 | 18.0 | 200 |
| | | 7.0 | 1700 | 9.0 | 950 | 11.0 | 650 | 13.0 | 500 | 18.6 | 150 |
| | | 7.2 | 1550 | 10.0 | 700 | 12.0 | 550 | 14.0 | 400 | | |
| | | | | 10.1 | 700 | 12.9 | 400 | 15.0 | 300 | | |
| | | | | | | | | 15.8 | 250 | | |



COUNT ON US

The total rated load charts are based on the actual working radius including boom

1800 440 550 | prestonhire.com.au



SPECIALISED EQUIPMENT HIRE SOLUTIONS

Service Facility Locations

Preston Hire - NSW
 Unit 3,10 Tarlington Place,
 Smithfield, NSW 2164
nswsales@prestonhire.com.au

Preston Hire - ACT
 38 John Bull Street,
 Queanbeyan West, NSW 2620
actsales@prestonhire.com.au

Preston Hire - New Zealand
 563 Rosebank Rd,
 Avondale, Auckland 1026
nzsales@prestonhire.com.au

Preston Hire - QLD
 83 Parramatta Road,
 Underwood, QLD 4119
qldsales@prestonhire.com.au

Preston Hire - VIC/TAS
 38-40 Sunline Dr,
 Truganina, VIC 3029
vicsales@prestonhire.com.au

Preston Hire - WA/NT
 Unit 2,8 Hunt Street,
 Malaga, WA 6090
wasales@prestonhire.com.au

Preston Hire - SA
 102 Cormack Road,
 Wingfield, SA 5013
sasales@prestonhire.com.au

**Preston Hire available across Oceania*



COUNT ON US

1800 440 550 | prestonhire.com.au